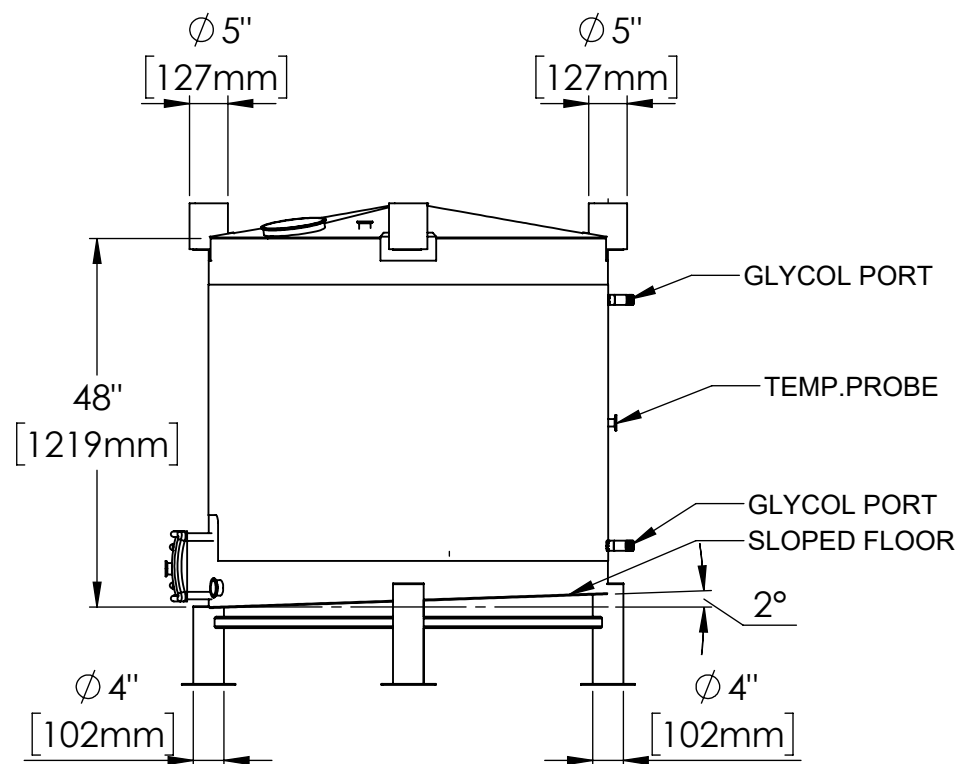


- APPROVED
- APPROVED W/ REVISIONS
- NOT APPROVED

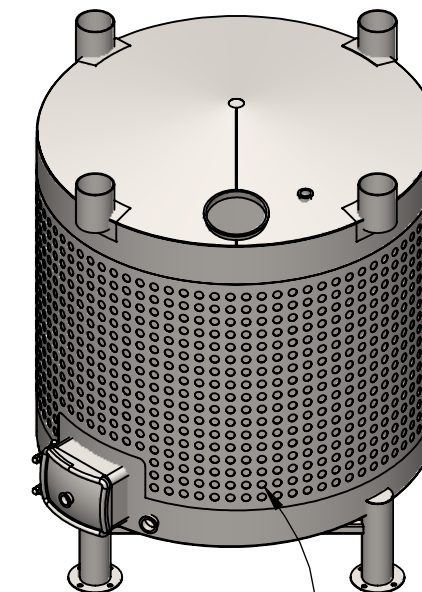
SIGNATURE: \_\_\_\_\_

NAME (PRINT): \_\_\_\_\_

DATE: \_\_\_\_\_



SECTION B-B  
SCALE 1 : 25

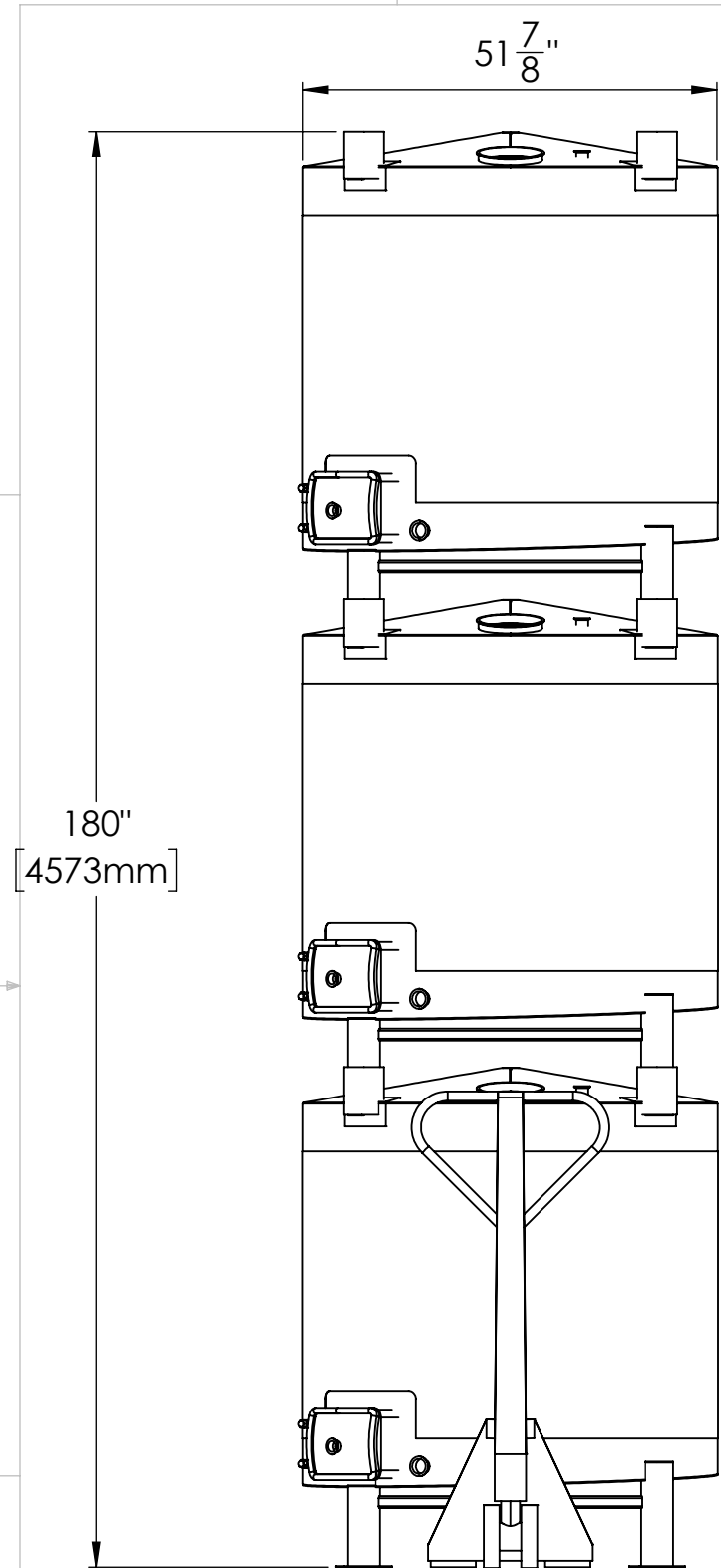


ENERGY SAVING PRECISION LASER WELDED DIMPLE COOLING JACKETS, ENGINEERED TO MAXIMIZE TURBULENCE AND MINIMIZE LOAD ON THE GLYCOL COOLING SYSTEM, LOW AND HIGH PRESSURE OPTIONS AVAILABLE FOR GLYCOL.

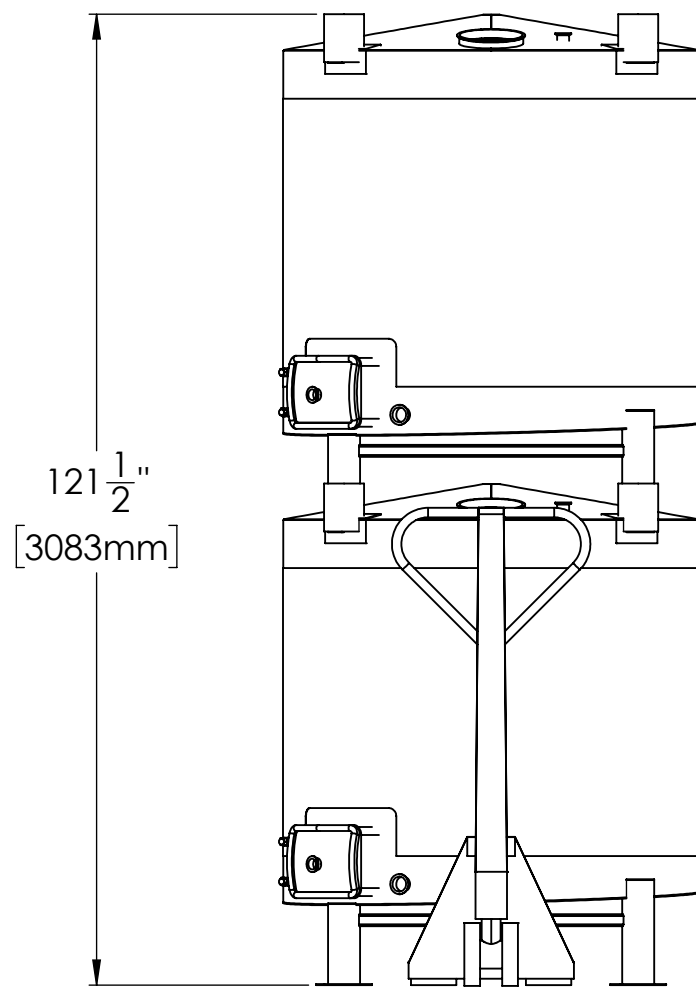


**PORTLAND KETTLE WORKS**

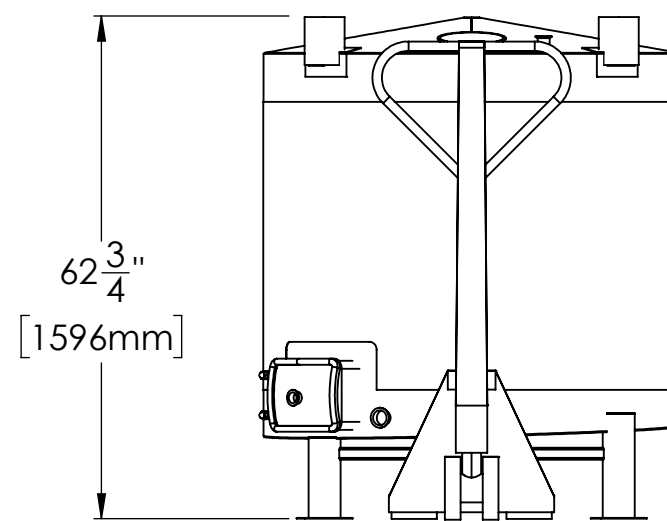
NAME		DATE	UNLESS OTHERWISE SPECIFIED:		TITLE: 1.5K TOTE	
DRAWN	LL	04/23/21	DIMENSIONS ARE IN INCHES	INTERPRET GEOMETRIC TOLERANCING PER: ASME	PART NUMBER: W10001	
CHECKED			TOLERANCES:	MATERIAL: 304SS	REV <b>A</b>	
ENG APPR.			FRACTIONAL: ± 1/8	FINISH: 2B	ASSEMBLY NUMBER: W1001	
MFG APPR.			ANGULAR: ± 1°	DO NOT SCALE DRAWING		
Q.A.			TWO PLACE DECIMAL: ±0.01			
<b>PROPRIETARY AND CONFIDENTIAL</b> THE INFORMATION CONTAINED IN THIS DRAWING IS THE SOLE PROPERTY OF PORTLAND KETTLE WORKS. ANY REPRODUCTION IN PART OR AS A WHOLE WITHOUT THE WRITTEN PERMISSION OF PORTLAND KETTLE WORKS IS PROHIBITED.			THREE PLACE DECIMAL: ±0.005		SCALE: 1:25   WEIGHT: 142.04 LBS	
					SIZE: <b>B</b>	SHEET 1 OF 2



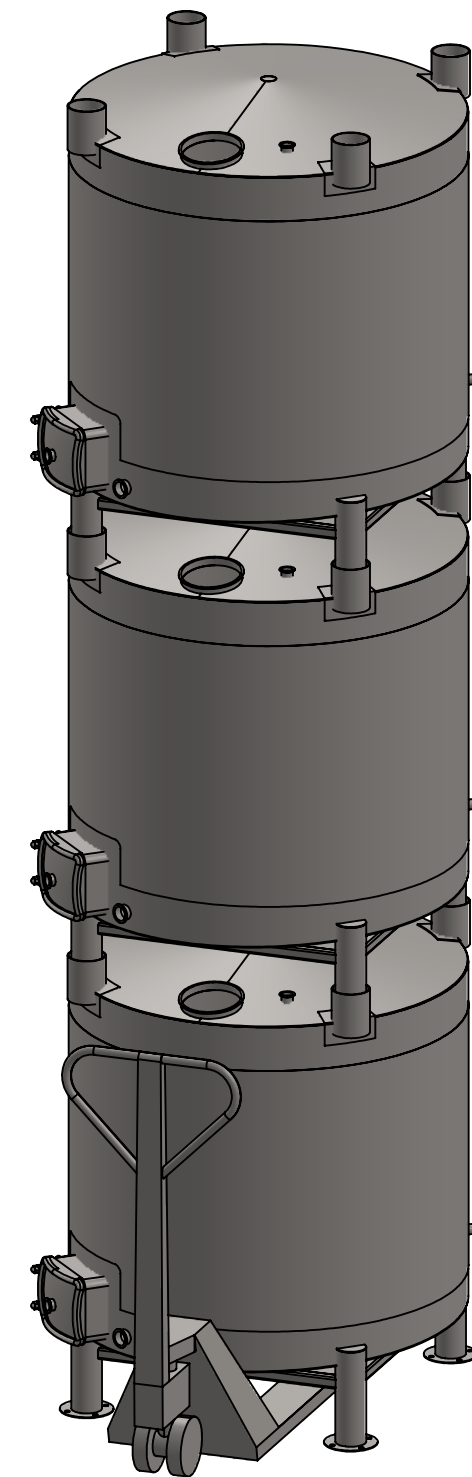
TRIPLE TOTE



DOUBLE TOTE



CAN BE MOVED WITH  
STANDARD PALLET JACK



PORTLAND KETTLE WORKS			
DRAWN	NAME	DATE	UNLESS OTHERWISE SPECIFIED:
CHECKED	LL	04/23/21	DIMENSIONS ARE IN INCHES
ENG APPR.			TOLERANCES:
MFG APPR.			FRACTIONAL: $\pm 1/8$
Q.A.			ANGULAR: $\pm 1^\circ$
<b>PROPRIETARY AND CONFIDENTIAL</b> THE INFORMATION CONTAINED IN THIS DRAWING IS THE SOLE PROPERTY OF PORTLAND KETTLE WORKS. ANY REPRODUCTION IN PART OR AS A WHOLE WITHOUT THE WRITTEN PERMISSION OF PORTLAND KETTLE WORKS IS PROHIBITED.			INTERPRET GEOMETRIC TOLERANCING PER: ASME MATERIAL: 304SS FINISH: 2B DO NOT SCALE DRAWING
TITLE:		1.5K TOTE	
PART NUMBER:		W10001	REV <b>A</b>
ASSEMBLY NUMBER:		W10001	
SCALE: 1:50	WEIGHT: 142.04 LBS	SIZE: <b>B</b>	SHEET 2 OF 2