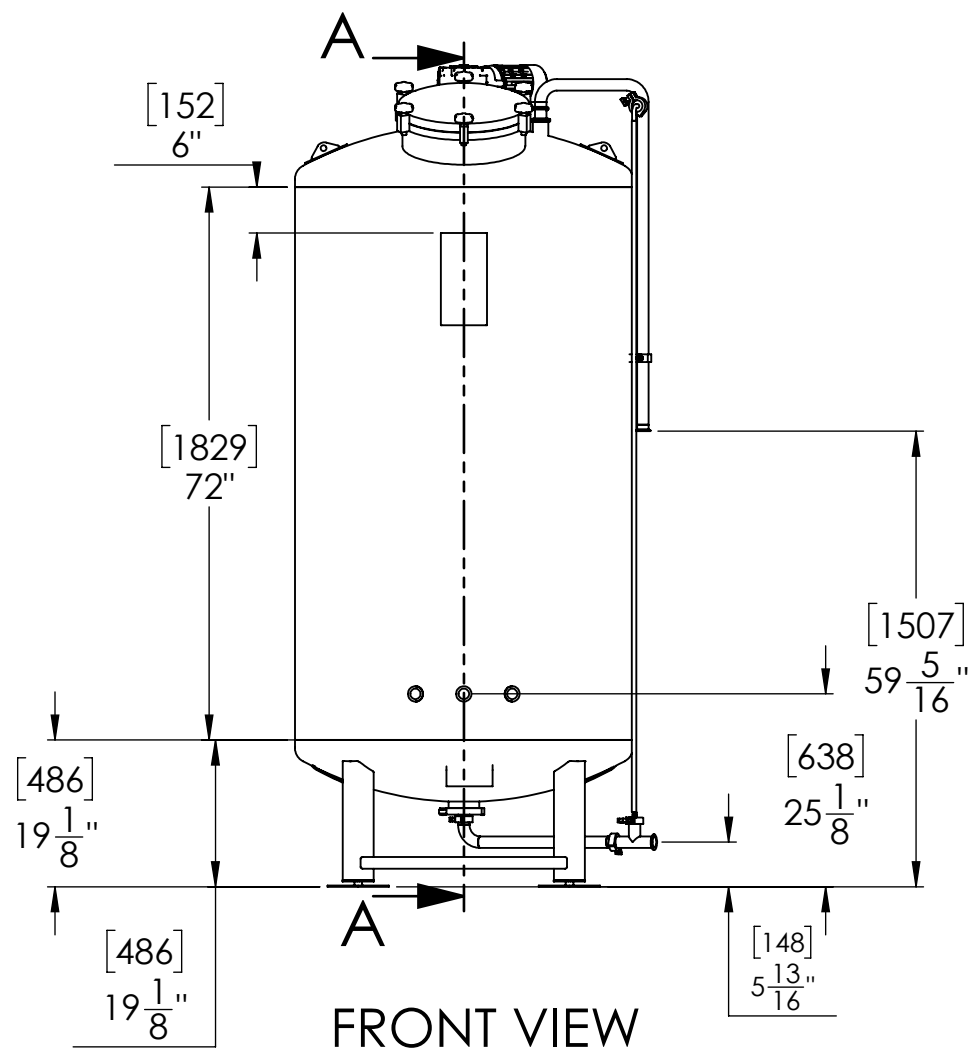
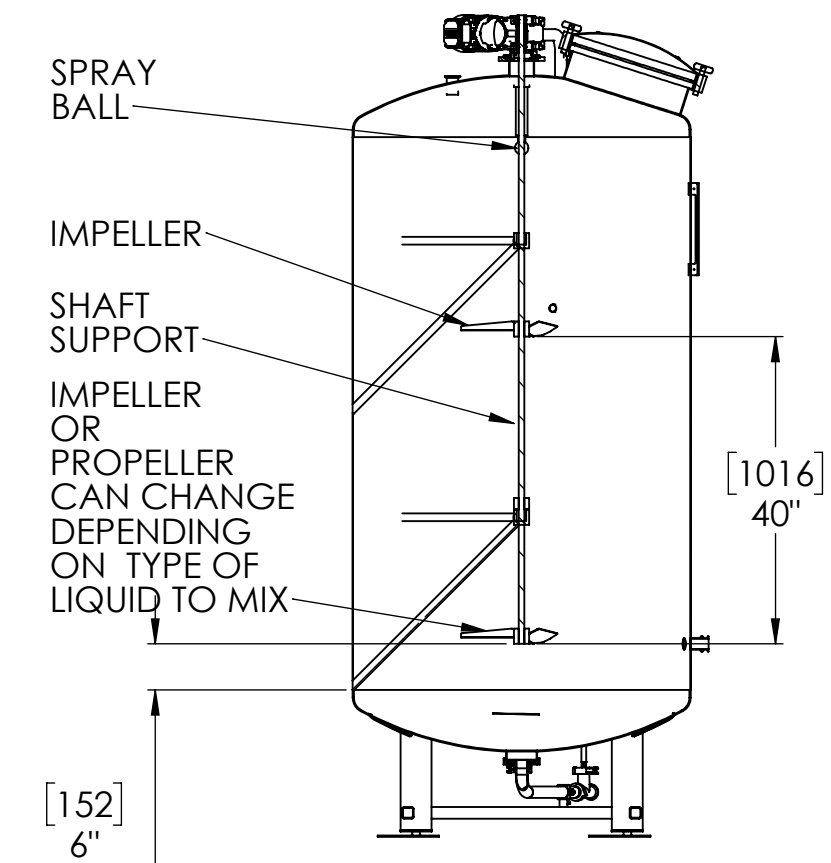


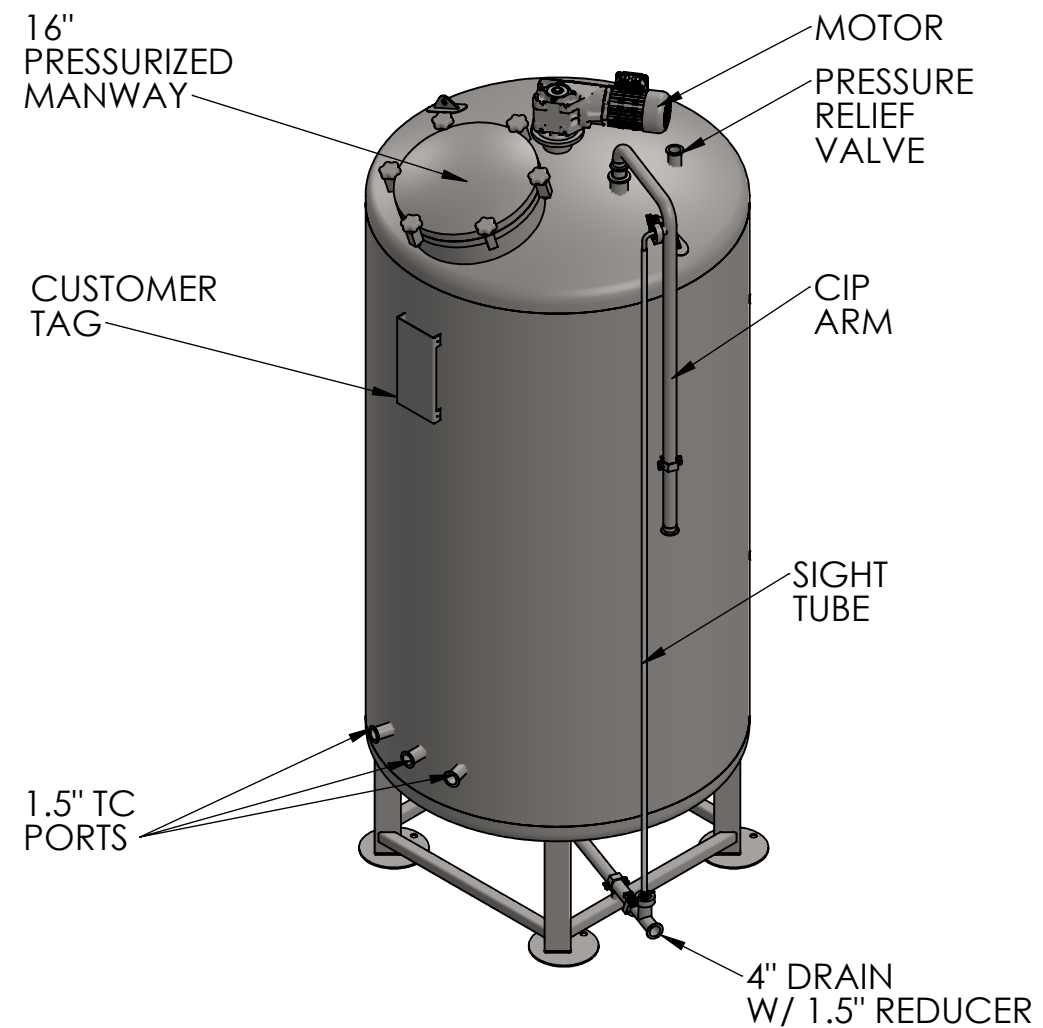
TOP VIEW



FRONT VIEW



SECCIÓN A-A



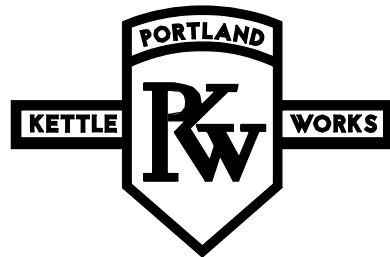
- APPROVED
- APPROVED W/ REVISIONS
- NOT APPROVED

SIGNATURE: _____

NAME (PRINT): _____

DATE: _____

TANKS AVAILABLE IN DIFFERENT SIZES:
BBL: 3.5, 5, 7, 10, 15, 20, 30, 40, 60, 80, 100, 120



PORTLAND KETTLE WORKS

DRAWN		NAME	DATE	UNLESS OTHERWISE SPECIFIED:		TITLE: 15BT44SW CIP R, 15BBL SW MIXING TANK, 44" OD	
CHECKED		VH		DIMENSIONS ARE IN INCHES	INTERPRET GEOMETRIC TOLERANCING PER: ASME	PART NUMBER: V30029	
ENG APPR.				TOLERANCES:	MATERIAL: SS304	REV	A
MFG APPR.				FRACTIONAL: ± 1/8	FINISH: 2B	ASSEMBLY NUMBER:	
Q.A.				ANGULAR: ± 1°	DO NOT SCALE DRAWING		
<small>PROPRIETARY AND CONFIDENTIAL THE INFORMATION CONTAINED IN THIS DRAWING IS THE SOLE PROPERTY OF PORTLAND KETTLE WORKS. ANY REPRODUCTION IN PART OR AS A WHOLE WITHOUT THE WRITTEN PERMISSION OF PORTLAND KETTLE WORKS IS PROHIBITED.</small>				TWO PLACE DECIMAL: ±0.01			
				THREE PLACE DECIMAL: ±0.005	SCALE: 1:25 WEIGHT: 188.93 LBS		
				SIZE: B		SHEET 1 OF 1	