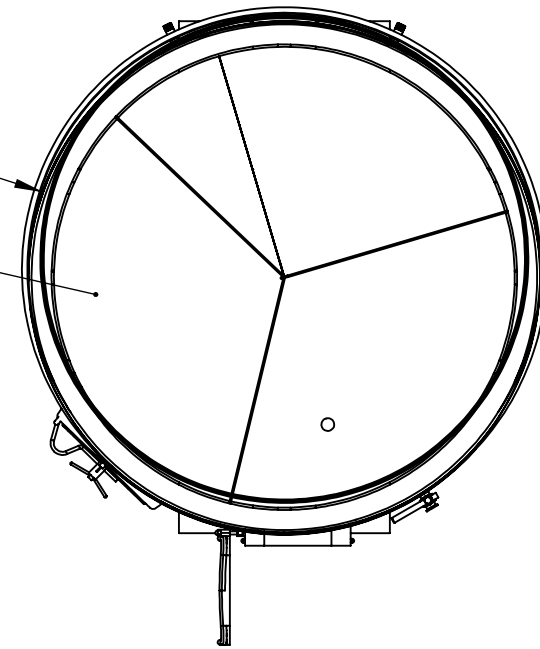
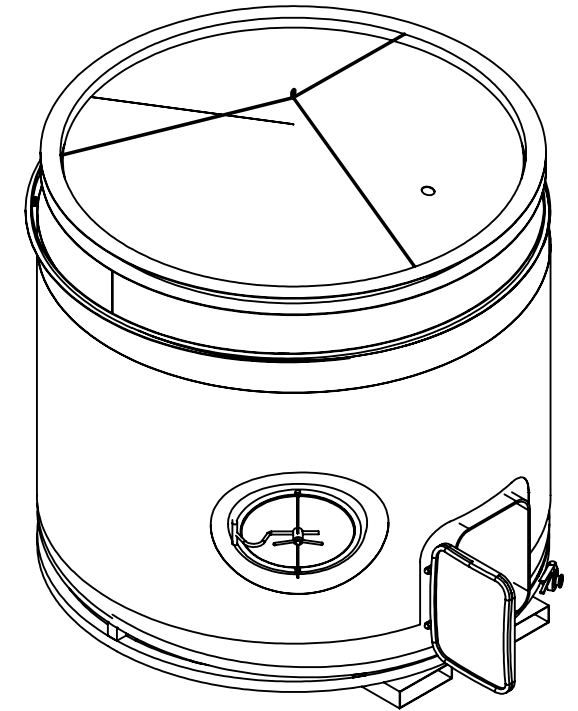


FLOATING LID FOR VARIABLE CAPACITY

Ø 80



TOP VIEW

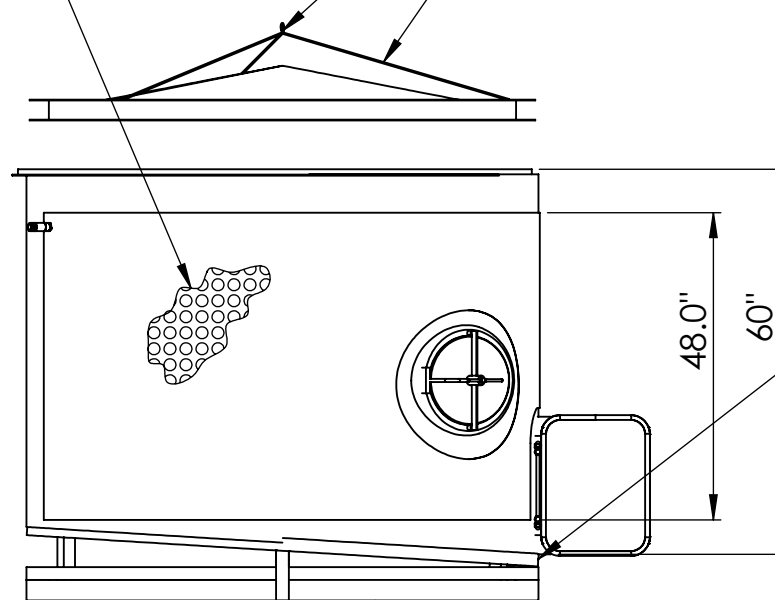


ISO VIEW

Energy saving precision laser welded dimple cooling jackets, engineered to maximize turbulence and minimize load on the glycol cooling system, low and high pressure options available for glycol.

LIFTING HOOK
LIFTING HOOK
SUPPORT ARMS

DUAL ACTION
MANWAY
Dual manway,
top inswing/outswing
manway for
racking access

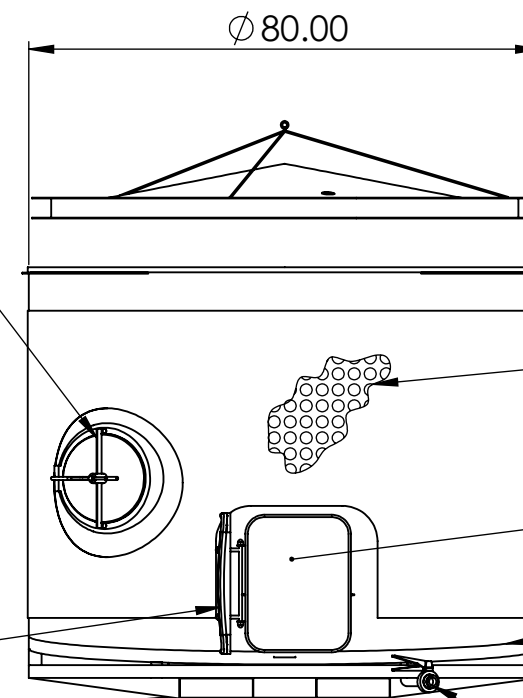


SIDE VIEW

Drainage sump and
ports are housed in a
precision engineered,
removable drain screen
inside the tank

OUTSWING OPENING
MANWAY

FORKLIFT POCKETS
w/ ANTI-TIP WINGS



FRONT VIEW

FLOATING LID

DIMPLE JACKET

48" DIMPLE JACKET

Smooth 2-B interior finish,
blended and made sanitary
at all weldment

SLOPED FLOOR

SUMP DRAIN w/
BUTTERFLY VALVE



PORTLAND KETTLE WORKS

PROPRIETARY AND CONFIDENTIAL
THE INFORMATION CONTAINED IN THIS
DRAWING IS THE SOLE PROPERTY OF
PORTLAND KETTLE WORKS. ANY
REPRODUCTION IN PART OR AS A WHOLE
WITHOUT THE WRITTEN PERMISSION OF
PORTLAND KETTLE WORKS IS
PROHIBITED.

UNLESS OTHERWISE SPECIFIED:		NAME	DATE	TITLE:	
DIMENSIONS ARE IN INCHES	INTERPRET GEOMETRIC TOLERANCING PER: ASME	DRAWN	SF	WINE FERMENTER	
TOLERANCES:	MATERIAL	CHECKED		SIZE	PART NUMBER
FRACTIONAL: ± 1/8	FINISH	ENG APPR.		B	Wine Fermenter
ANGULAR: ±1°		MFG APPR.		SCALE: 1:50	WEIGHT:
TWO PLACE DECIMAL: ±0.01		Q.A.			SHEET 1 OF 1
THREE PLACE DECIMAL: ±0.005	DO NOT SCALE DRAWING				