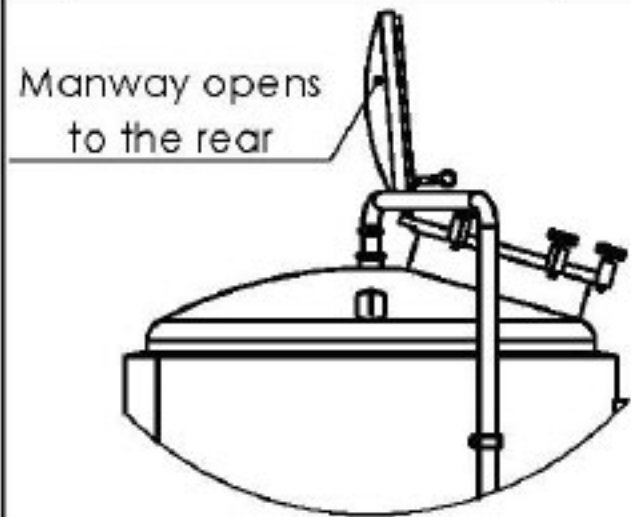
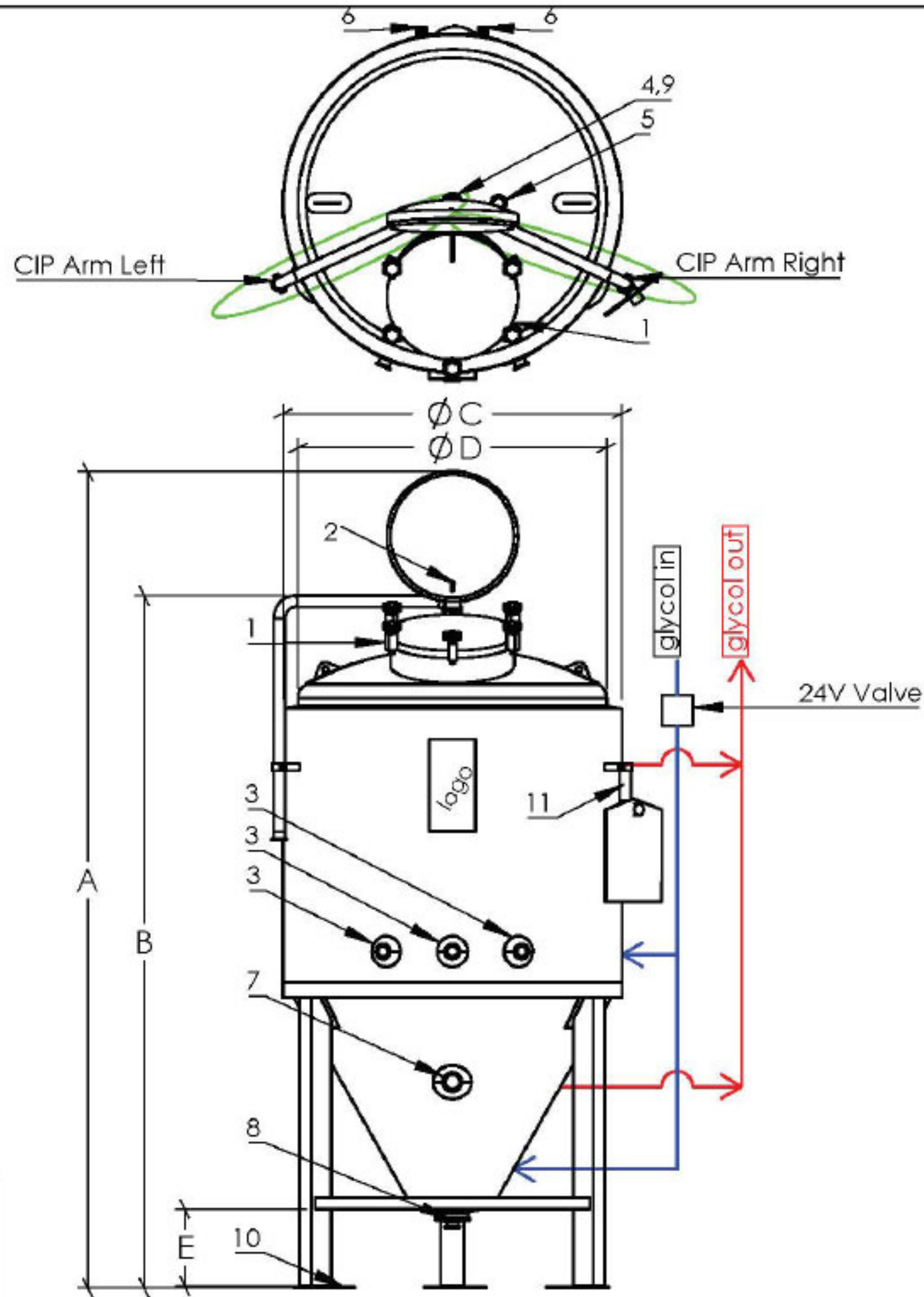


#	Part	Qty
1	Manway	1
2	Hop Hook	1
3	1.5" TC Port	2
4	2" TC Port (CIP)	1
5	1.5" TC Port (PRV)	1
6	MNPT (Glycol) see below for port size	4
7	Racking Arm Port (2" TC 3.5-20 BBL, 2" DIN 30 BBL +)	1
8	4" to 1.5" TC Port (Drain)	1
9	Sprayball	1
10	Ø8" Foot Pad	Leg #
11	Clipboard Hook	1



Tank Size	MNPT Size
3.5-15 BBL	1"
20-60 BBL	1.5"

Model #	Select	Capacity (BBL) *	Total Capacity (gal) *	Cone Capacity (gal) *	Sidewall Capacity (gal/in) *	Tank Dimensions (Inch)					Loads (lbs)		Legs #
						A *	B	C	D	E *	Empty *	Live *	
3.5FV30	<input checked="" type="checkbox"/>	3.5	136.1	26	3.1	107	92	34	30	~10	350	1435	3
5FV36	<input checked="" type="checkbox"/>	5	204.2	45.3	4.4	101	86	40	36	~10	500	2050	3
7FV36	<input checked="" type="checkbox"/>	7	257.1	45.3	4.4	113	98	40	36	~10	700	2870	3
10FV40	<input checked="" type="checkbox"/>	10	389	62.3	5.4	129	114	44	40	~10	1000	4100	3
15FV48	<input checked="" type="checkbox"/>	15	578.3	108	7.8	137	122	52	48	~10	1500	6150	4
20FV55	<input checked="" type="checkbox"/>	20	779.8	162.7	10.3	141	126	59	55	~10	2000	8200	4
30FV60	<input checked="" type="checkbox"/>	30	1092.7	211.4	12.2	158	143	64	60	~10	3000	12300	4
40FV65	<input checked="" type="checkbox"/>	40	1475.6	268.9	14.4	175	160	69	65	~10	4000	16400	5
60FV88	<input checked="" type="checkbox"/>	60	2247.8	668	26.3	175	160	92	88	~10	6000	24600	5

NOTES: *APPROXIMATE DIMENSION **STANDARD ***AVAILABLE AT ADDITIONAL COST

Tank #: _____

MANWAY LOCATIONS:

please indicate your preferred manway location for the corresponding tank #

Option 1: Top**

Option 2: Side***
(additional cost)



COMMENTS:

CIP Arm location is interchangeable.
Located on left or right side of tank.

PKW will provide 25m temp probe wire for each tank

PKW FERMENTER SPECS

BREWERY NAME: _____

Approved

Approved with Revisions

Not Approved

Customer Signature _____

Printed Name _____

Date _____



Office: 503-236-4500
Fax: 503-236-4513
Main Contact: 503-314-7134 (Joe W)

Main Contact: Joe@Portlandkettleworks.com
Design: Stephan@PortlandKettleWorks.com
Manufacturing: Patrick@PortlandKettleWorks.com

www.PortlandKettleWorks.Com